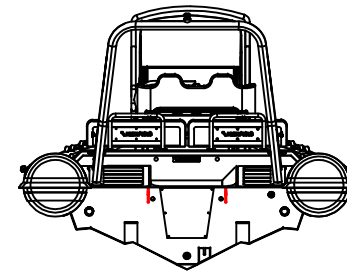
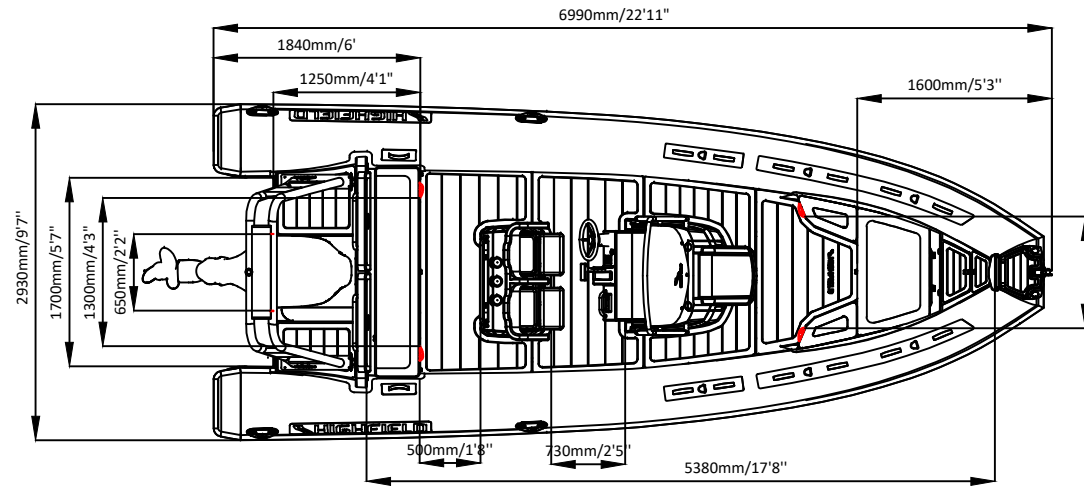
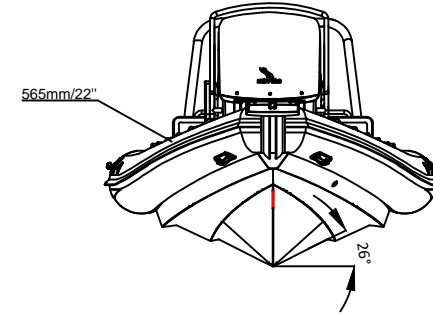
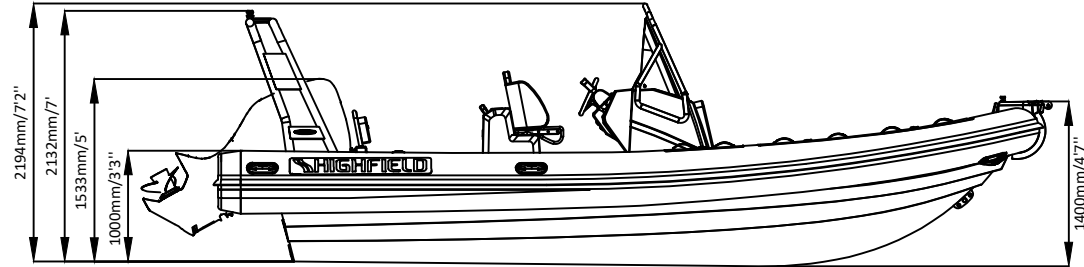


PATROL 700

SPECIFICATIONS



SPECIFICATIONS AND MAXIMUM CAPACITIES (Subject to change without notice. Tolerances: dimensions ±2.5%, weights ±5%)

MODEL	ISO 6185 PART	ISO 6185	Crew		#	Weight		Shaft	Outboard Engine		Sundeck		Rollbar		Tow post		Fuel tank Capacity		Wet Weight (Approximate) 250HP (186.5KW) +Fuel		AIR CHAMBERS	Pressure					
			KG	LB		KG	LB		KG	LB	KG	LB	KG	LB	KG	LB	L	GAL	KG	LB		PSI	BAR				
PA700	3	C	1503	3312	14	1050	2315	XL	186.5	250	312.5	689	1023	2255	9	19	24	53	/	/	285	75	1542	3400	6	3.63	0.25

Boat weight includes: console ,seat, Shower kit, Platform